

LP SERIES-General Purpose

LP2-1200 (2V1200AH)

Specification

Nominal Voltage	2V	
Nominal Capacity(10HR)	1200.0AH	
Dimensions	Length	475±3mm (18.70 inches)
	Width	175±2mm (6.89 inches)
	Container Height	328±3mm (12.91 inches)
	Total Height (with Terminal)	350±3mm (13.78 inches)
Approx Weight	Approx 63.7kg (140.5lbs)	
Terminal	T11	
Container Material	ABS	
Rated Capacity	1260.0 AH/63.0A	(20hr, 1.80V/cell, 25°C/77°F)
	1200.0 AH/120.0A	(10hr, 1.80V/cell, 25°C/77°F)
	1044.0 AH/208.8A	(5hr, 1.75V/cell, 25°C/77°F)
	907.2AH/302.4A	(3hr, 1.75V/cell, 25°C/77°F)
	728.4 AH/728.4A	(1hr, 1.60V/cell, 25°C/77°F)
Max. Discharge Current	9600A (5s)	
Internal Resistance	Approx 0.4mΩ	
Operating Temp. Range	Discharge	-15~50°C (5~122°F)
	Charge	0~40°C (32~104°F)
	Storage	-15~40°C (5~104°F)
Nominal Operating Temp. Range	25±3°C (77±5°F)	
Cycle Use	Initial Charging Current less than 360.0A. Voltage 2.4V~2.5V at 25°C(77°F)Temp. Coefficient -5mV/°C	
	Standby Use No limit on Initial Charging Current Voltage 2.25V~2.3V at 25°C(77°F)Temp. Coefficient -3mV/°C	
Capacity affected by Temperature	40°C (104°F)	103%
	25°C (77°F)	100%
	0°C (32°F)	86%
Self Discharge	Leoch LP series batteries may be stored for up to 6 months at 25°C(77°F) and then a freshening charge is required. For higher temperatures the time interval will be shorter.	



Applications

- ◆ Tele-communication central station (wired or cellular)
- ◆ Power system communication, military communication, etc.
- ◆ Network communication including: data transmission, television signal transmission, etc.
- ◆ Uninterruptable Power System (UPS- for Telecom)



Constant Current Discharge (Amperes) at 25 °C (77°F)

F.V/Time	30min	45min	1h	2h	3h	4h	5h	6h	8h	10h	20h
1.85V/cell	920.1	729.6	598.8	359.7	278.0	228.3	194.4	169.8	136.8	114.6	60.8
1.80V/cell	987.3	767.6	636.0	379.5	291.6	238.5	202.6	177.4	142.1	120.0	63.0
1.75V/cell	1045.5	807.1	663.6	395.2	302.4	246.6	208.8	181.6	144.8	121.2	63.6
1.70V/cell	1097.0	837.5	686.8	406.8	310.4	252.0	212.4	184.8	147.0	122.4	64.3
1.65V/cell	1150.7	874.0	711.6	419.0	317.2	257.4	217.0	188.0	149.1	124.0	65.1
1.60V/cell	1190.4	897.6	728.4	429.0	324.0	261.0	220.1	190.6	151.1	125.4	65.8

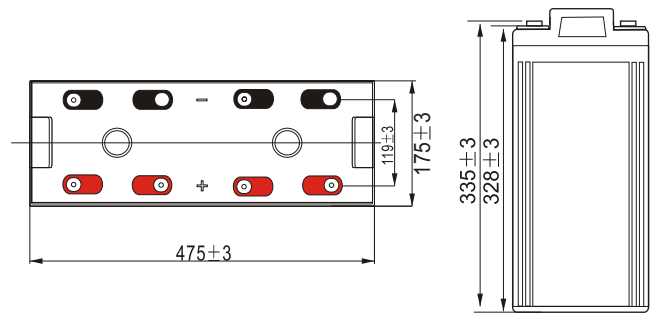
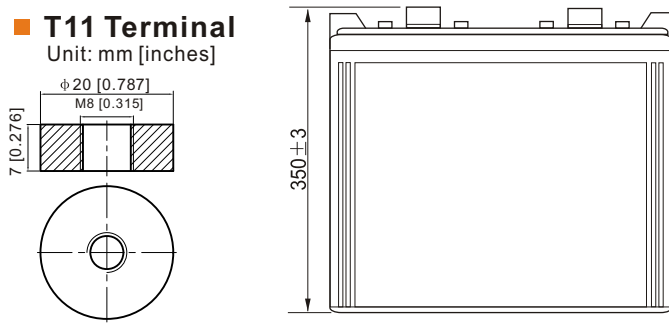
Constant Power Discharge (Watts) at 25 °C (77°F)

F.V/Time	30min	45min	1h	2h	3h	4h	5h	6h	8h	10h	20h
1.85V/cell	1758.5	1402.8	1158.3	699.6	543.3	447.8	383.0	335.5	271.5	227.9	121.0
1.80V/cell	1871.7	1466.1	1223.3	734.6	567.2	466.2	397.3	349.1	281.0	238.3	125.2
1.75V/cell	1966.9	1532.6	1270.8	761.9	586.7	480.4	408.1	356.3	285.7	240.4	126.3
1.70V/cell	2046.5	1579.2	1308.4	781.1	599.9	488.9	413.9	362.0	289.9	242.6	127.5
1.65V/cell	2130.7	1638.8	1347.8	801.2	610.4	497.7	421.3	367.2	293.3	245.3	129.0
1.60V/cell	2182.0	1667.3	1370.1	815.1	620.2	502.4	425.7	371.1	296.5	247.8	130.3

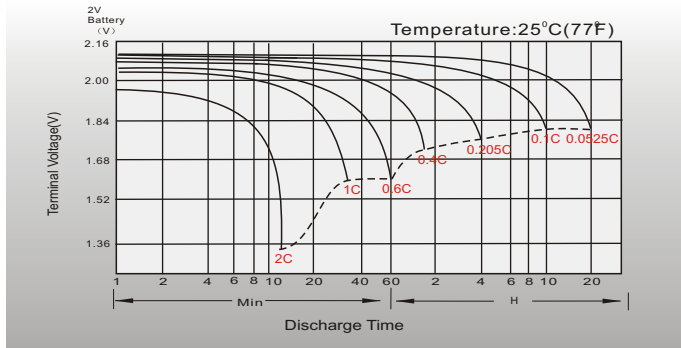
Dimensions

T11 Terminal

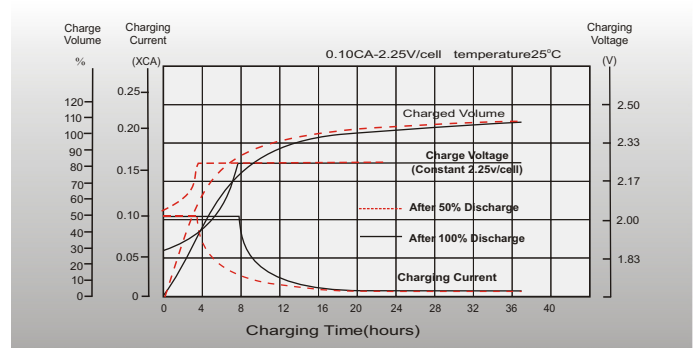
Unit: mm [inches]



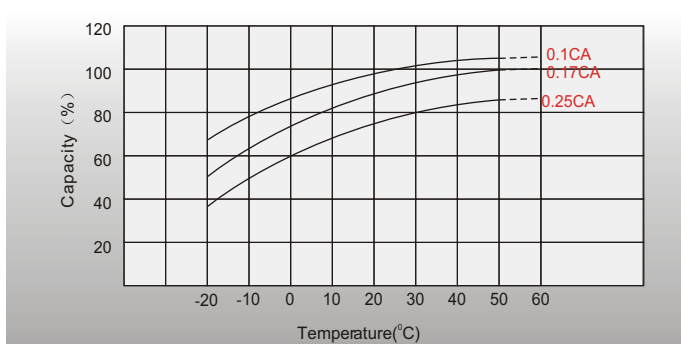
Discharge Characteristics



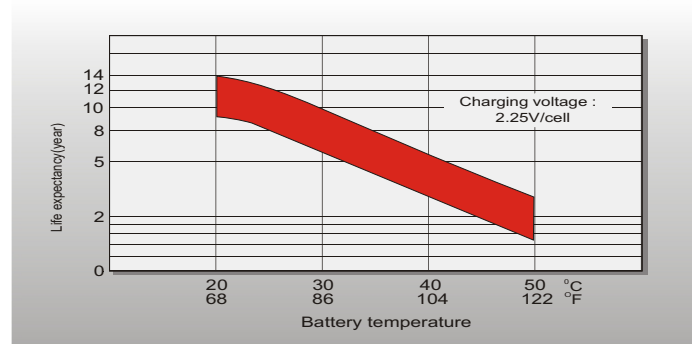
Float Charging Characteristics



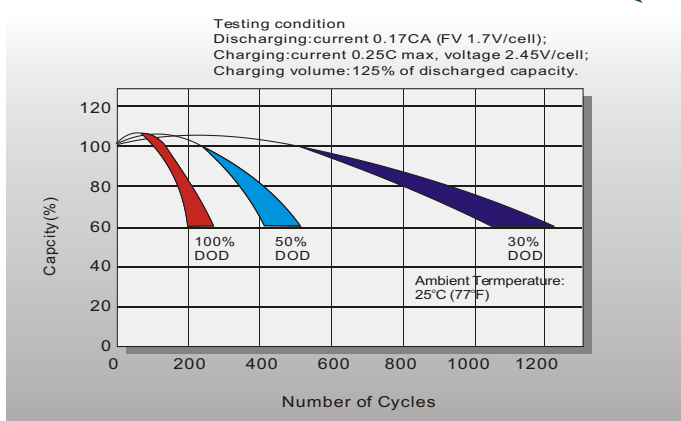
Temperature Effects in Relation to Battery Capacity



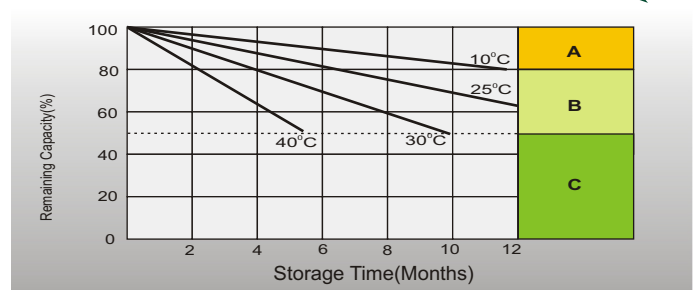
Effect of Temperature on Long Term Float Life



Cycle Life in Relation to Depth of Discharge



Self Discharge Characteristics



- A** No supplementary charge required
(Carry out supplementary charge before use if 100% capacity is required.)
- B** Supplementary charge required before use. Optional charging way as below:
1. Charged for above 3 days at limited current 0.25CA and constant voltage 2.25V/cell.
2. Charged for above 20 hours at limited current 0.25CA and constant voltage 2.45V/cell.
3. Charged for 8-10 hours at limited current 0.05CA.
- C** Supplementary charge may often fail to recover the capacity.
The battery should never be left standing till this is reached.

Sales Office

China sales office:

Add: 5th Floor, Xinbaohui Bldg., Nanhai Blvd.,
Nanshan, Shenzhen, China. 518052
Tel: +86-755-86036060 (100 lines)
Fax: +86-755-26067269
E-mail: export@leoch.com
Http://www.leoch.com

North America sales office:

Add: 19751 Descartes, Unit A,
Foothill Ranch, CA 92610, USA
Tel: 949-588-5853
Fax: 949-588-5966
E-mail: sales@leoch.us
Http://www.leoch.us

Europe sales office:

Add: 9B Wheatstone Park, Waterwells
Business Park, Gloucester, GL2 2AQ, UK.
Tel: +44(0) 01452 729428
Fax: +44 (0)1452-690125
E-mail: Sales.Europe@leoch.com

Singapore sales office:

Add: No.53, Ubi Avenue 1, #03-21 Paya
Ubi Industrial Park, Singapore 408934
Tel: + 65 6841 6629
E-mail: sales.sg@leoch.com

HongKong sales office:

Add: Unit 3910, 39/F, Cable TV Tower, No.9
Hoi Shing Road, Tsuen Wan, NT, H.K
Tel: +852 3578 6666
E-mail: sales.hk@leoch.com